

Product Descriptions

Inteliclean Air 9000

RHS Description

With an elegant, luxurious and modern European influenced design the Inteliclean Air 9000 is an alluring addition to any bathroom. It is one of our most advanced retro-fit bidets that were specifically designed to adhere to Australian Health & Quality Standards. Using the latest knowledge in health technology, this bidet was designed with a unique back-flow prevention system that has succeeded in all extensive safety testing. It also features a slimline easy to use remote control.

The Inteliclean Air 9000 has a SWL of 180kg.

Product Description

Inteliclean is an innovative Australian owned and operated brand that has been recently created to introduce a new intelligent and smart bidet specifically designed for the Australian market. The Inteliclean Air 9000 is the first of its kind with an inbuilt backflow prevention system that specially complies with all Australian Health & Quality Standards.

This revolutionised, sleek, intelligent bidet is packed with features to suit all members of the family. These features include heated water, heated seat & a heated drier while the system is also augmented with more premium features such as a deodoriser, break tank and multiple unique wash functions.

The automatic deodoriser activates when the user sits down, it removes bad odours by sucking the air out from the bowl through a charcoal block neutralising any smells. The incorporated break tank was designed to provide the highest standard of health and safety regarding back-flow prevention. This involves a pump, 25mm air gap and cistern-like system to prevent back flow and adheres to all Australian Backflow Prevention Regulations. The additional wash functions include pulse, oscillate, enema and child.

The easy to use remote control can be handheld or wall mounted to suit any needs.

NOTE: This bidet can fit on either a fully concealed toilet that has no access to the seat bolts or a toilet that does have access to seat bolts

NOTE: When looking at the bidet/ toilet, the 1.5m power lead comes from the RHS and the water pipe comes from the LHS - THIS CANNOT BE CHANGED

Features

Features	Description
Additional Features	
Remote Control	All functions are managed from an easy to use, intuitive touch screen remote control which can be handheld or mounted on the wall.
Mini Side Control	Puts some functions in a mini pad on the side of the seat - Power, Rear Cleansing & Nozzle Cleansing
Oscillate / Move	Moves the nozzle forward and backward in a rhythmic action for a more thorough cleansing and stimulating wash.

Product Descriptions

Pulse	The water sprays in a rhythmic pulsating action for a soothing stimulating wash.
Enema	A pencil thin stream of soft aerated water is ideal for constipation. Use while trying to pass a bowel movement for the best results.
Child	The child function reduces the pressure of the water to 50%.
Deodoriser	Removes bad odours by sucking the air out from the bowl through a charcoal block neutralising any smells. Activated by the seat sensor being activated.
Standard Features	
Heated Dryer	Blows warm air to gently dry you after a wash and offers 5 temperature settings.
Heated Seat	When sitting on the seat it will warm up to the desired temperature and offers 4 different temperature options (no heat + 3 heat settings).
Heated Water	Cleanses with warm water and offers 4 temperature settings (no heat + 3 heat settings) and 5 water pressure settings.
Rear Cleansing	This function is for washing the bottom area only.
Feminine Cleanse	This feature is exclusively for women, to use for their vaginal area.
Fast Heating	When a user activates the seat sensor the water begins to warm up. When the user presses a wash button the water is at the desired temperature before entering the nozzles.
Nozzles	This bidet comes with a single hardened Stainless Steel Nozzle. This decreases soiling and bacterial growth whilst improving hygiene.
Nozzle Position Adjust	The nozzle is adjustable to 5 different positions and should be adjusted to the correct position for washing.
Self Cleansing Nozzles	Before and after each use of the nozzle, they automatically clean themselves to avoid cross contamination. There is also an additional manual button if they require additional cleaning.
Seat Sensor	The moisture activated seat sensor is incorporated in the design to ensure that the bidet or automatic flushing functions can not be activated unless the seat is occupied. The seat sensor is located between 3 & 5 o'clock on the toilet seat.
Soft Close Seat & Lid	Hydraulic dampers installed at the hinges allow the seat and lid to close softly.
Antibacterial Plastic	The Bidet is made with antibacterial plastic to ensure the highest degree of hygiene & cleanliness.
Power Saving	The Bidet senses when it is not occupied and will automatically go into "power save mode". This function can be turned off and on.
Water Saving	An average wash uses about a tea cup or two of water.
Quick Release	This bidet has a quick release base plate on the bottom of the bidet to enable this bidet to be fitted to toilets that have access to seat bolts and toilets that

Product Descriptions

are fully concealed. With the press of 1 or 2 buttons you can slide the bidet toward the front of the toilet for easy removal.
--

Requirements

You must ensure that you have a tap on the wall, a powerpoint within 1.5 metres of the toilet & a plumber to complete your installation.

This bidet has a quick release base plate on the bottom of the bidet to enable this bidet to be fitted to toilets that have access to seat bolts and toilets that are fully concealed.

NOTE: You will need to know if your tap is located on the LHS, RHS or in your cistern when looking at your toilet. You will also need to know if you have access to the seat bolts. This knowledge is required as extra accessories for installation may need to be purchased.

NOTE: If being installed on a toilet with access to seat bolts - Bottom Fixing Bolts must be purchased separately.

Additional products that may be required:

- If TAP is on RHS - 1m of 1/4" White Pipe and 1x John Guest Adaptor is required
- If TAP is in the Cistern - 1/2" Internal Fitting Kit 1x John Guest Adaptor & 1m of White Pipe is required
- If installed on a bottom fixing toilet - Bottom Fixing Bolts are required
- If installed on a bottom fixing toilet with arms/rails & 80mm spacer - Bottom Fixing Bolts & Extension Brackets are required
- If installed on a top fixing toilet - Top Fixing Bolts are required
- If installed on a top fixing toilet with a 50mm spacer - Extra Long Top Fixing Bolts are required
- If installed on a top fixing toilet with Arms/Rails - Top Fixing Bolts are required
- If installed on a top fixing toilet with a 50mm Spacer and Arms/Rails - Extra Long Top Fixing Bolts are required
- If installed on a top fixing toilet with an 80mm Spacer - Extra Long Top Fixing Bolts & Stabilisers are required
- If installed on a top fixing toilet with an 80mm Spacer & Arms/Rails - Extra Long Top Fixing Bolts, Stabilisers and Extension Brackets are required

Sizing

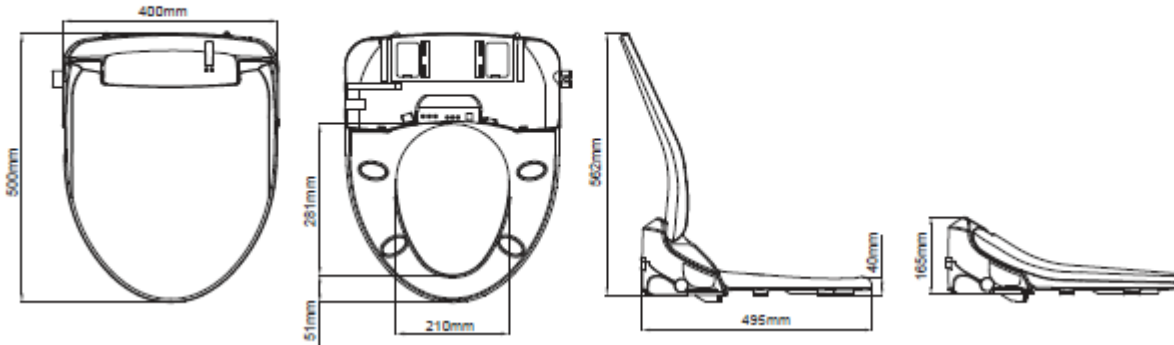
Measurements required in order for this bidet to fit onto your toilet

Inteliclean Regular Seat	Inteliclean Elongated Seat
A = 490mm or above	A = 510mm or above
B = Between 135 – 195mm	B = Between 135 – 195mm
C = 320mm or above	C = 350mm or above
D = 420mm or above	D = 440mm or above

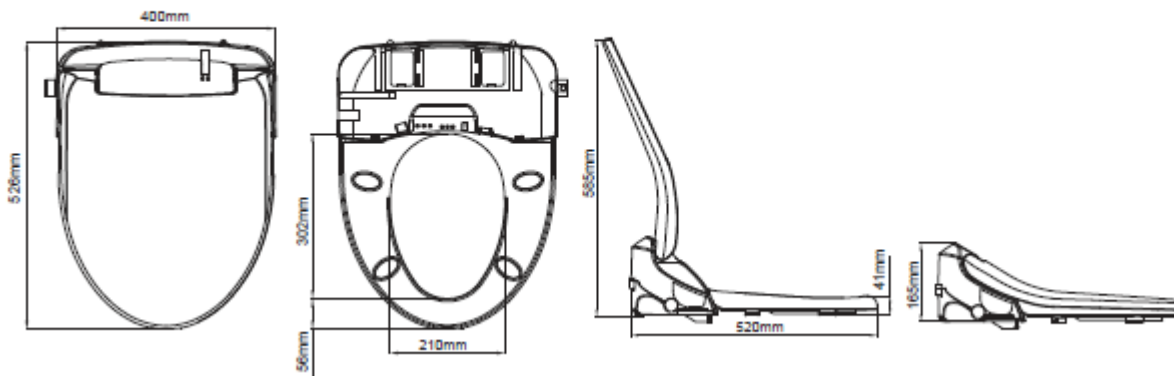
Product Descriptions

Measurements of bidet seat

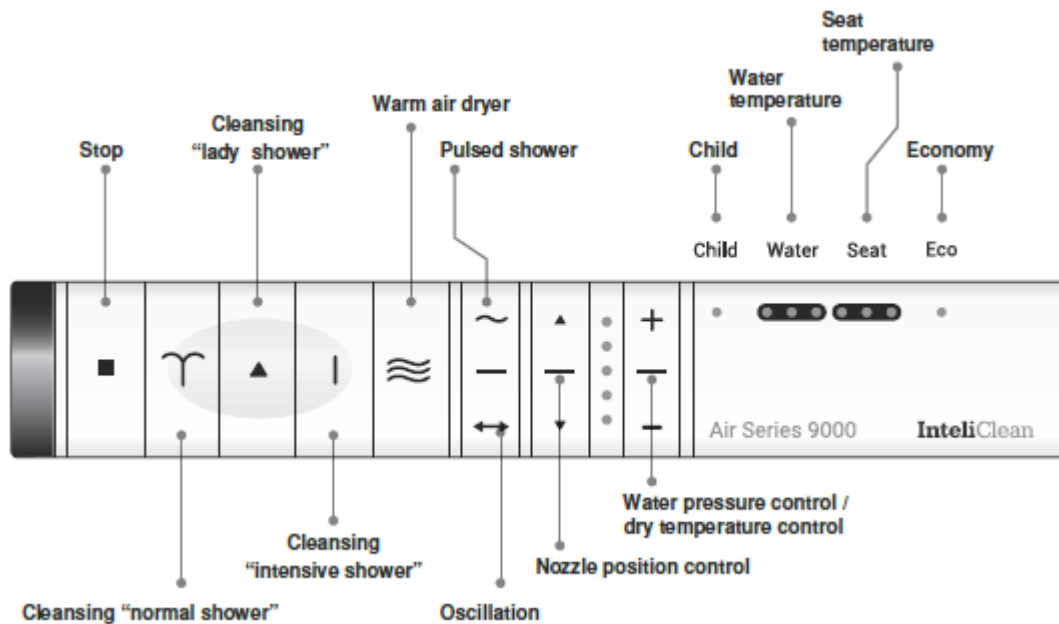
InteliClean Air Series® digital bidet seat
9000R (Round)



InteliClean Air Series® digital bidet seat
9000E (Elongated)

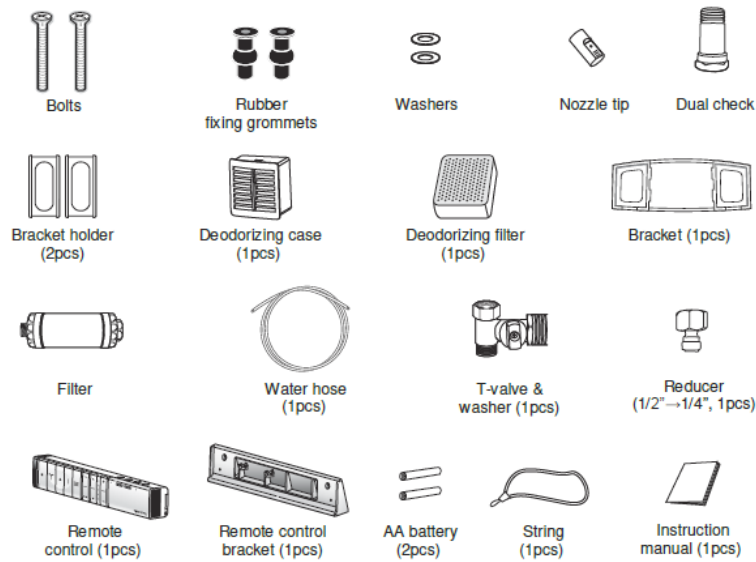


Remote



Product Descriptions

Box Contents



Specifications

InteliClean Air Series® digital bidet

Power Rating	AC 230 V / 50/60 Hz / 1470 W
Water Inlet pressure	0.68 ~ 7.35 bar
Power Cord	1.8m or 0.47m
Wash Device	Direct connection to the water supply tubes: - 1 water supply pipe 740mm length. Dimension M10(M) - 1 t-valve 3/8" inside and 2x outside - spare nut 1 1/2"(F) to 3/8"(M) - spare nut 2 1/2"(M) to 3/8"(F)
Wash volume	0.5 ~ 1.0 Litre /min
Water temperature	39 ± 2°C, four levels adjustable
Warm air dryer	250 W, five levels adjustable
Heated seat	55 W, four levels adjustable
Deodorizer	Catalyst
Dimension	9000R: L 500 mm , W 400 mm, H 165 mm 9000E: L 526 mm , W 400 mm, H 165 mm
Color	White
Water proof	IPX4
Material of plastic	ASA
Weight	8.5kgs
Weight limit	160kgs
Remote control	infrared, battery 2 x: LR 6, 1,5V, size AA
Approval	CE, GS, DVGW W540 (EN1717,EN13077,KTW,W270)

Product Descriptions

Installation

A licensed plumber must install this retro-fit bidet in accordance with the Plumbing Code of Australia (PCA) and WMTS 051:2016 Bidet Douche Seats.

Warranty

2 year Limited Warranty
(2 years *fully replaced*)

Extended Warranty Available for Purchase

The Inteliclean Air 9000 is compliant with AS 2845.2:1996 Clause 4.2 Minimum Air Gap
+Logos+

All products must be installed by a licensed plumber in accordance with WMTS 051:2016 Bidet
Douche Seat

[Bottom Fixing Bolts](#)
[John Guest Adaptors](#)
[Internal Fixing Kits](#)
[Extra Long Top Bolts](#)
[Stabilisers](#)
[Extension Brackets](#)