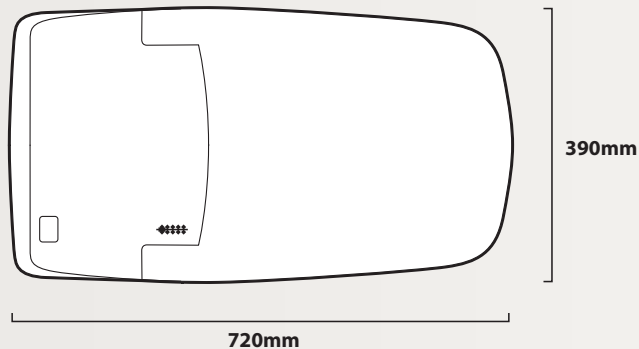
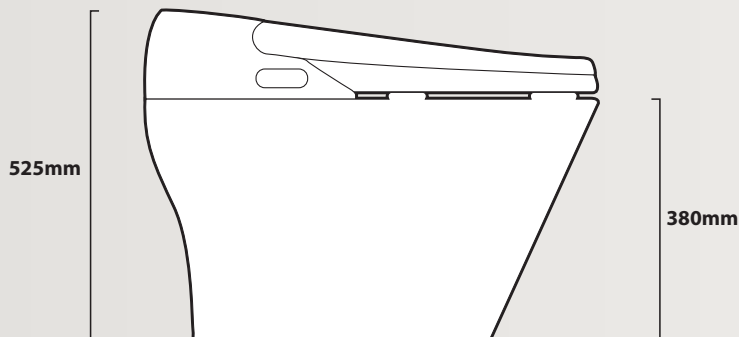
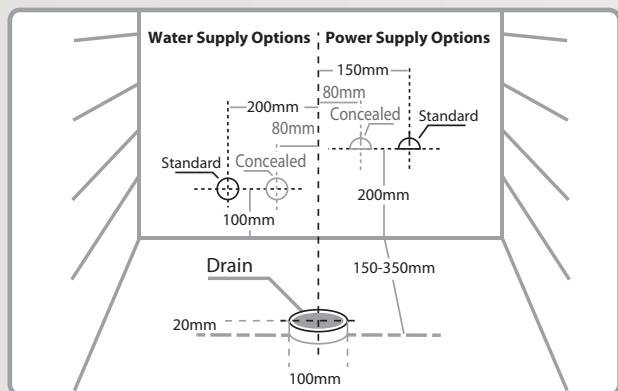


THRONE

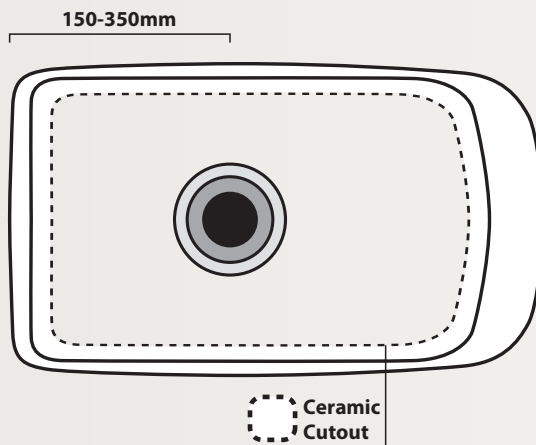
Concealed Installation



Floor drain S-Trap (Standard services / Concealed services)

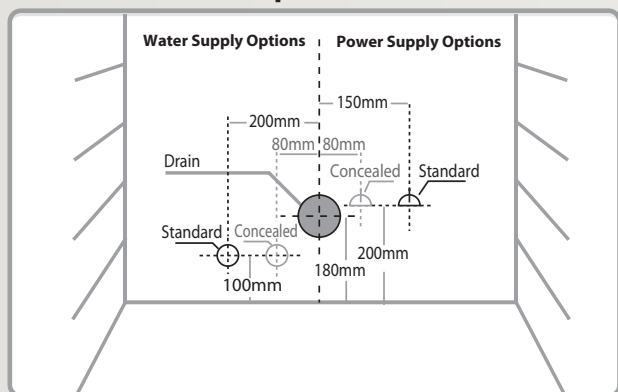


Set out 150-350mm.
Flexi hose may be required (accessory).



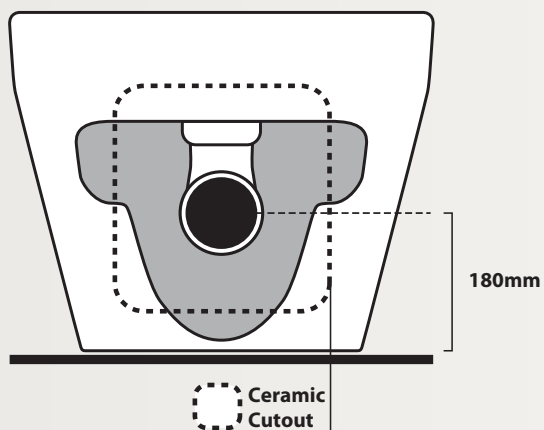
Ceramic Cutout

Wall drain P-Trap (Standard services / Concealed services)



180mm - Set out

Ceramic



Ceramic Cutout

Water Pressure Minimum 150kpa. Maximum 750kpa with 20L per minute minimum flow

Electrical Standard 10amp power point required

Installation To be carried out by a licensed plumber. Installation as per local region, council plumbing specifications and plumbing codes additional back flow device may be a requirement