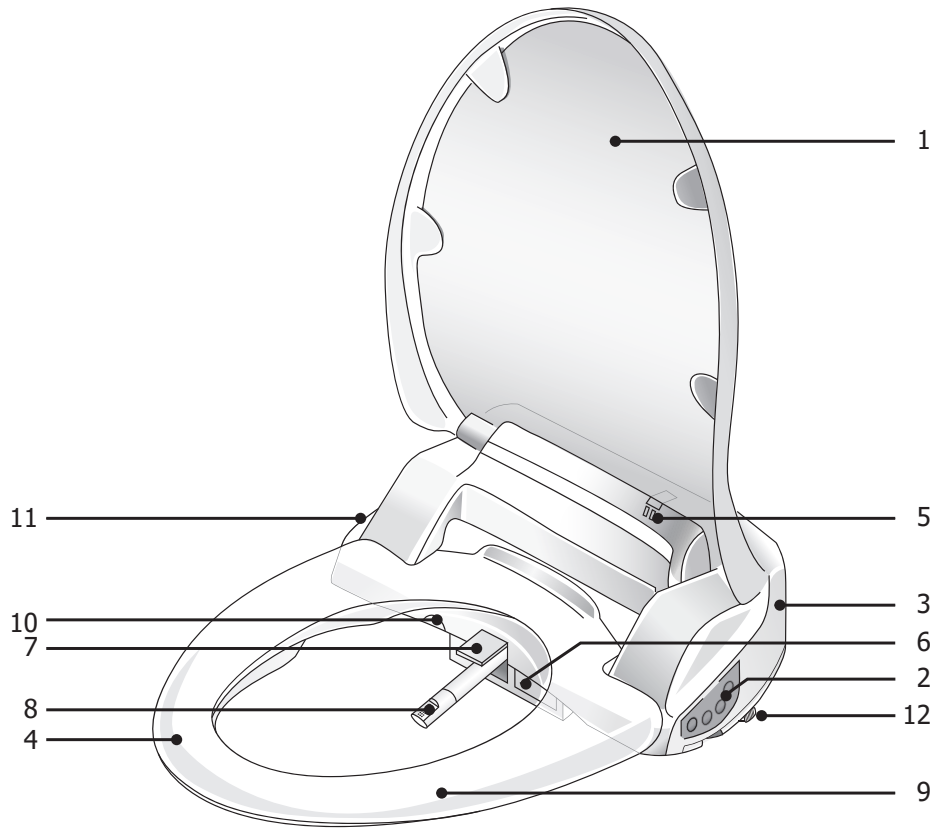
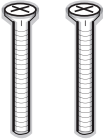


IDENTIFICATION

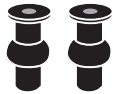
1. Lid
2. Control panel (left)
3. Deodorizer
4. Heated seat
5. LED indicator (Power, Economy)
6. Dryer outlet
7. Nozzle cover
8. Nozzle with nozzle tip
9. Occupied digital sensor
10. Water draining button
11. Control panel (right)
12. Release button



Bottom Fixing Bolts



Bolts



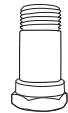
Rubber fixing grommets



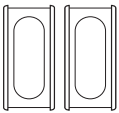
Washers



Nozzle tip



Dual check



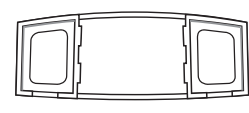
Bracket holder (2pcs)



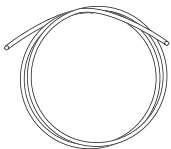
Deodorizing case (1pcs)



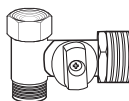
Deodorizing filter (1pcs)



Bracket (1pcs)



Water hose (1pcs)



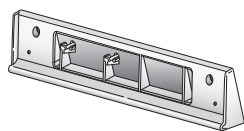
T-valve & washer (1pcs)



Reducer (1/2" → 1/4", 1pcs)



Remote control (1pcs)



Remote control bracket (1pcs)



AA battery (2pcs)



String (1pcs)



Instruction manual (1pcs)

INSTALLATION

Caution before first installation

Connect the unit only to a cold water (drinking water) supply.

Never use rainwater.

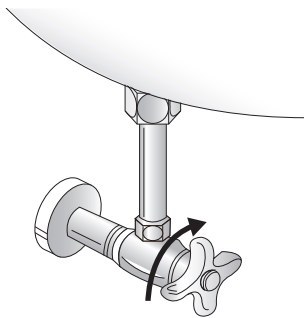
You need a power socket 240V and 50Hz.

Do not plug in before you open the water supply.

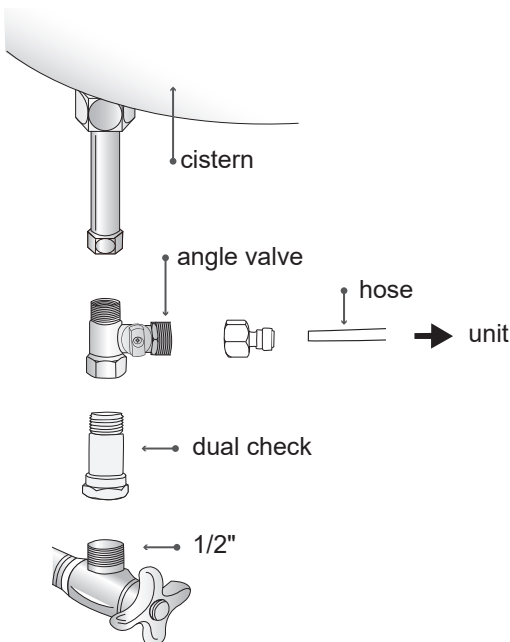
Note : Steps may vary by type of toilet bowl



Removing the existing toilet seat and cover.
Store the removed seat, cover and screws in a safe place in case of re-installation

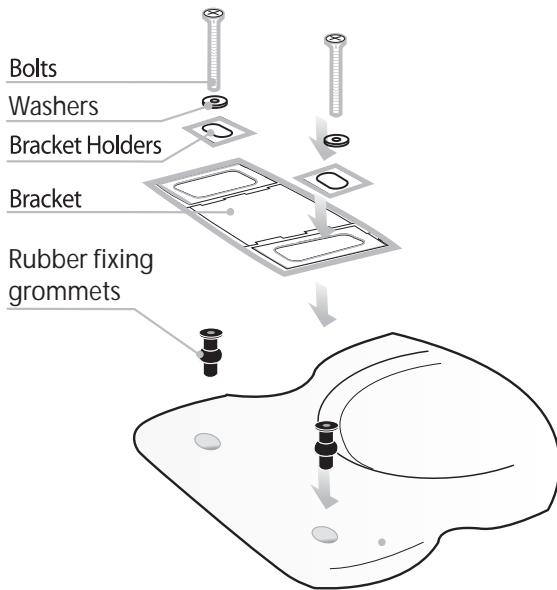


Shut off water to toilet by closing the water feed valve.
Flush the toilet to drain the toilet tank.



Install the t-valve between the water supply line and the toilet tank.
So you have two possibilities to close the water in case of repair or removal. And the toilet flush is working in every case.

Note : Use spanner to tighten all connections before continuing.
Angle valve is not a part of accessories.

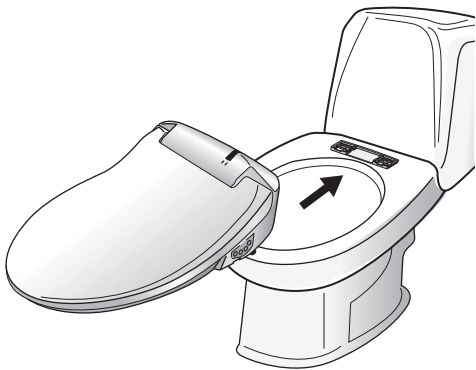


Top Fixing Option

If 'Top Fixing Bolts' are required then fix the bracket onto the toilet first with these.

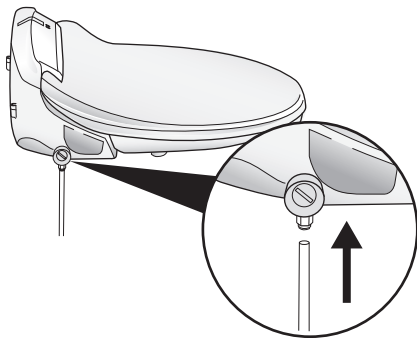
Install top fixing kit so can bracket can move.

Position the seat correctly before final tightening of the bolts.



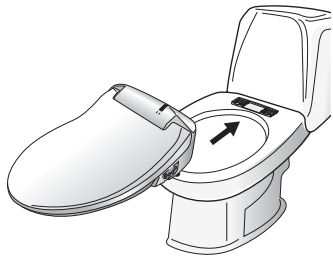
IntelliClean Air Series® digital bidet Assembly

1. Slide the unit onto the bracket centering the unit with the guide arrow on the bracket.
2. Slide the unit onto the bracket completely until it sounds "click".
3. When it is not installed well, it may cause damage.
4. The unit will feel a little loose on the toilet bowl. Adjust the fit from front to back and side to side for balance.
5. Tighten the nuts on both bolts securely.

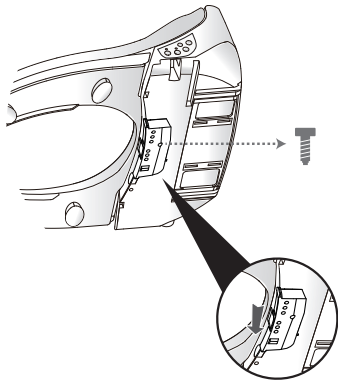


Connection the bidet hose to the unit

The screen filter is already inside of the silver connection part.

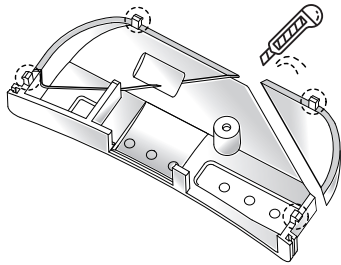


If the protection A interrupts to slide the unit backward completely, cut the protection A along the guideline.

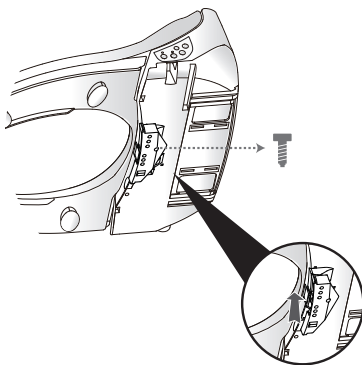


1. Unscrew first
2. Take the protection A away gently. Be careful of not breaking hook parts.
3. Cut both sides of protection A

*Carefully using a cutter.



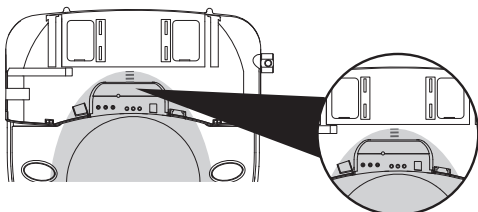
○ Hook part
— Guideline



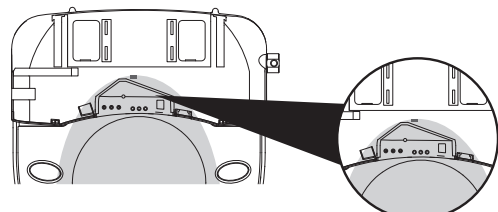
4. Hook the protection A back on the bottom of the unit.
5. Screw to fix.

Now the bidet seat can be sild further backward.

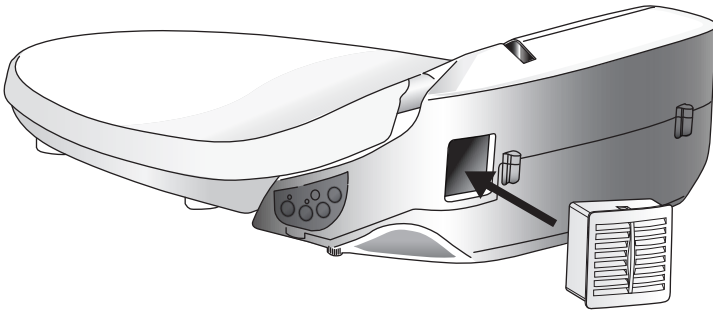
Before



After



DEODORIZER INSTALLATION

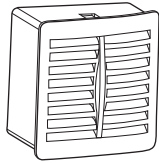


Deodorizer Installation

Insert the deodorant cartridge into the unit.
Here you can also change the deodorant case



Deodorizing filter

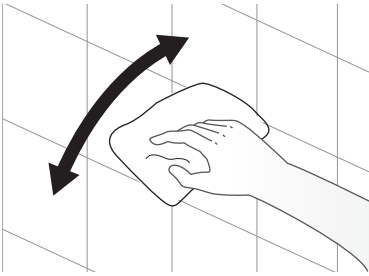


Deodorizing case

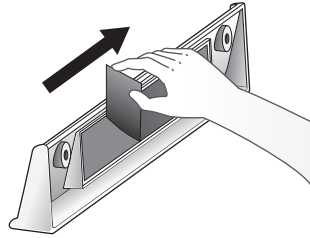
First activating/using of the unit

- Open the water supply
- Plug in
- Water tank will be filled up automatically (please wait until beeping)
- Simultaneously green LED on the unit turns on.

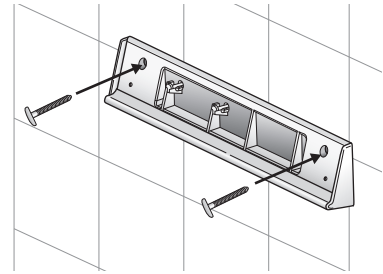
INSTALLATION OF REMOTE CONTROL



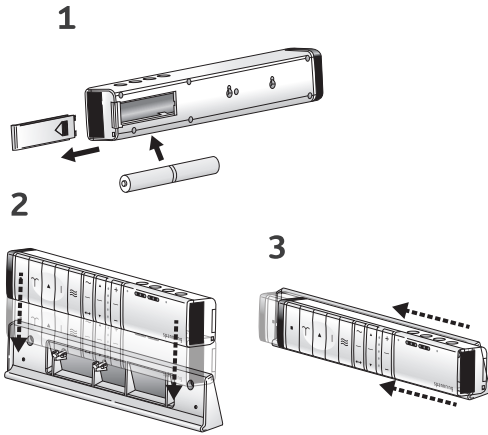
Clean the place thoroughly to attach the bracket.



Remove the adhesive protection to attach the remote control bracket.



Depending on wall type, you can install the screw directly or use the anchor mounts as shown.



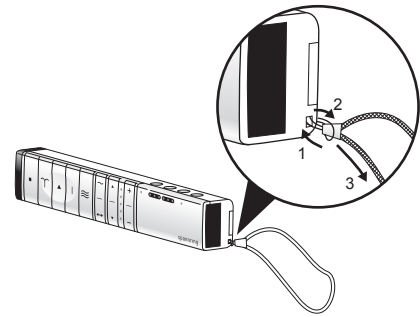
Take off the battery cover and place supplied batteries with correct direction. Close the battery cover. Hook the remote control on the bracket and gently slide it to left to fix it completely.

Note : Failure to install the batteries properly could cause damage or failure of the remote control unit.

Failure of installation could cause the remote control falling down.



The remote control can be hanging on the hanger if you prefer to not to drill holes into the wall and not to adhere the bracket to the wall.



Refer to the photo to assemble the string.